

ledix

ZAMEL Sp. z o.o.

ul. Zielona 27, 43-200 Pszczyna, Poland
Tel. +48 (32) 210 46 65, Fax +48 (32) 210 80 04
www.zamel.com, e-mail: marketing@zamel.pl

zamel

DESCRIPTION

ZNS series switched-mode power supply is designed to be applied in domestic LED lighting. Power supplies are easily mounted on vertical and horizontal surfaces indoor due to their modular structure. They are equipped with 12 V DC output voltage and are available in a wide range of nominal output power (12÷75 W). The in-built protections are a guarantee of a continuous and undisturbed operation of all connected LED equipment.

FEATURES

- Applied in domestic LED lighting.
- 12 V DC output voltage of high stability.
- Wide range of nominal output power.
- Overload and short-circuit protections.
- Resistance to operation with no load.
- Free way of mounting indoor only.



The device is designed for single-phase installation and must be installed in accordance with standards valid in a particular country. The device should be connected according to the details included in this instruction manual. Installation, connection and control should be carried out by a qualified electrician staff, who act in accordance with the service manual and the device functions. In case of casing dismantling, the guarantee is lost and an electric shock may occur. Before installation make sure the connection cables are not under voltage. The cruciform head screwdriver 3,5 mm should be used to install the device. Improper transport, storage, and use of the device influence its wrong functioning. It is not advisable to install the device in the following cases: if any device part is missing or the device is damaged or deformed. In case of improper functioning of the device contact the producer.



The symbol means selective collecting of electrical and electronic equipment.
It is forbidden to put the used equipment together with other waste.

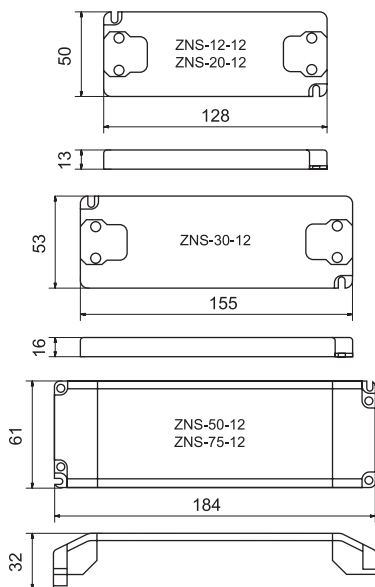
TECHNICAL DATA

	ZNS-12-12	ZNS-20-12	ZNS-30-12	ZNS-50-12	ZNS-75-12
Input parameters					
Voltage range:	220÷240 V AC				
Frequency range:	50 / 60 Hz				
Input current:	0,13 A	0,21 A	0,18 A	0,30 A	0,45 A
Power consumption during no load:	~0,5 W				
Efficiency:	78 %	82 %	88 %	88 %	86 %
Power factor:	0,5				
Output parameters					
Nominal output voltage:	12 V DC				
Nominal output current:	1,0 A	1,67 A	2,5 A	4,10 A	6,25 A
Nominal power	12 W	20 W	30 W	50 W	75 W
Output voltage ripples (max):	600 mV	700 mV	700 mV	800 mV	500 mV
Output voltage tolerance:	5 %				
Output time adjustment (max):	500 ms				
Other parameters					
Overload protection:	Yes				
Input short-circuit protection:	Yes – reversible				
Thermal protection:	No				
No-load state protection:	Yes				
Operating temperature range:	-20 ÷ 50°C	-20 ÷ 40°C	-20 ÷ 50°C		
Protection class:	II				
Overvoltage category:	II				
Casing protection degree:	IP20				
Mounting:	Free				
Operating position:	Free (vertical or horizontal surface)				
Dimensions [mm]:	128x50x13	155x53x16	184x64x32		
Weight:	70 g	75 g	105 g	270 g	270 g
Reference standard:	PN-EN 61204-3, PN-EN 55022, PN-EN 61000				

MOUNTING

1. Disconnect power supply by the phase fuse, the circuit-breaker or the switch-disconnector combined to the proper circuit.
2. Check if there is no voltage on the connection cables by means of a special measuring equipment.
3. Connect the device cables with the terminals of ZNS-XX-12 in accordance with the installing diagram.
4. After wire connection, secure terminals with a protection cover.
5. Switch on the power supply from the mains.

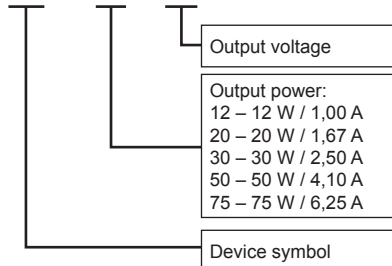
CASING DIMENSIONS



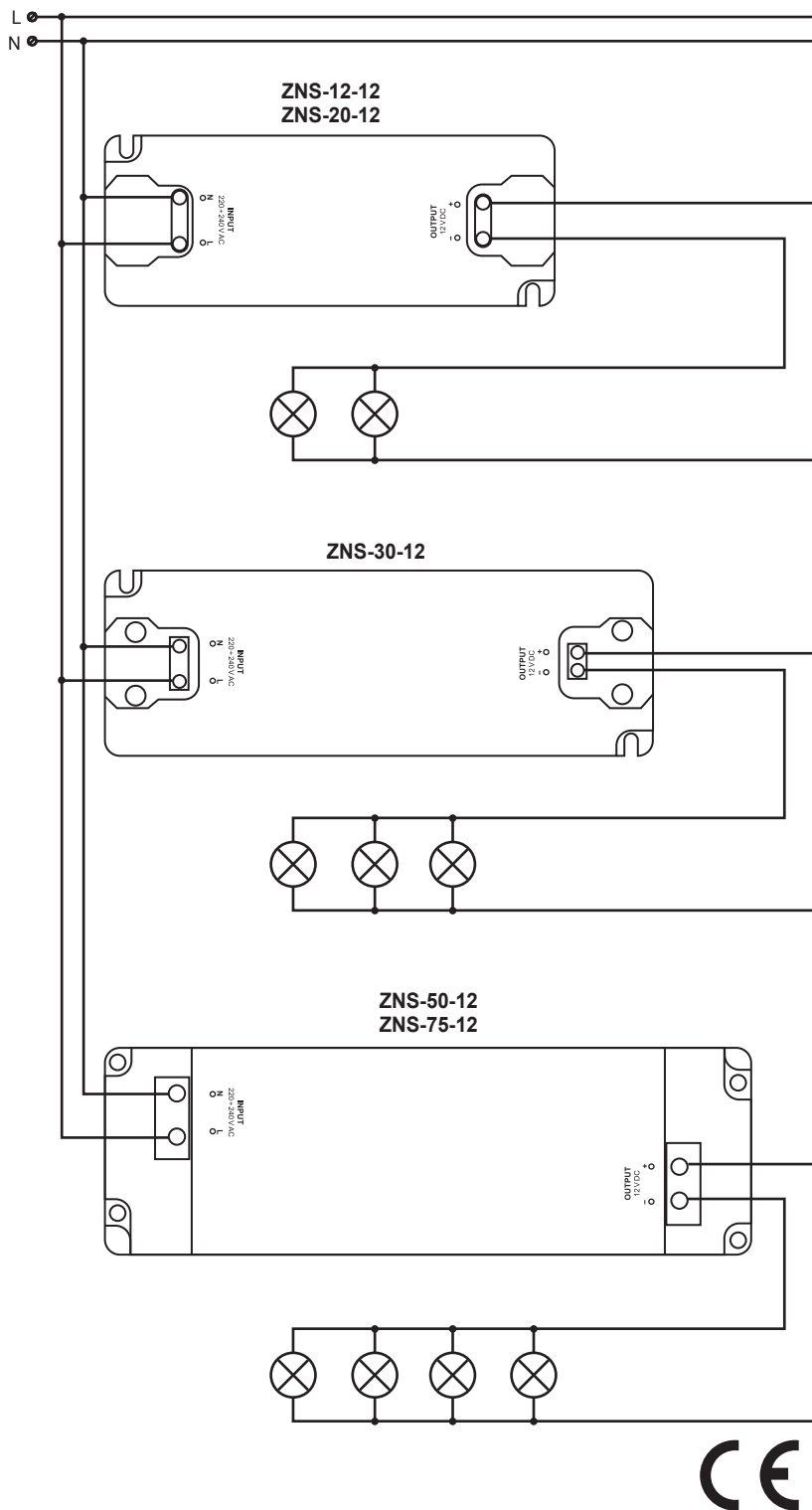
FAMILY OF THE PRODUCT

ZNS power supplies belong to the family of products:

ZNS - XX - 12



SCHEME



WARRANTY CARD

There is a 24 month guarantee on the product.

1. ZAMEL Sp. z o. o. assures a 24 month guarantee for the product.
2. The manufacturer's guarantee does not cover any of the following actions:
 - a) mechanical damage during transport, loading / unloading or under other circumstances,
 - b) damage caused by incorrect product mounting or misuse,
 - c) damage caused by unauthorised modifications made by the PURCHASER or any third parties to the product or any other devices required for the product functioning,
 - d) damage caused by Act of God or any other incidents independent of the manufacturer – ZAMEL Sp. z o. o.
 - e) supply sources (batteries) included in the device during selling (if they are included).
3. The PURCHASER shall lay any claims in writing in the place of purchase or to ZAMEL Sp. z o. o.
4. ZAMEL Sp. z o. o. is liable for processing any claim according to current Polish legislation.
5. ZAMEL Sp. z o. o. shall process the claim at its own discretion: product repair, replacement or money return.
6. The PURCHASER's statutory rights in any applicable legislation whether against the retailer arising from the purchase contract or otherwise are not affected by this warranty.

Salesman stamp and signature, date of sale.